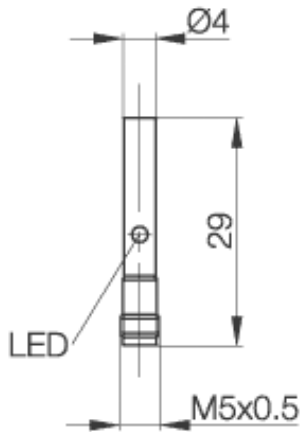


**Inductive Sensors**  
**BES G04EC-POC15B-S26G**  
**D4 x 29**  
**normally-closed**  
**Sn=1,5mm**  
**shielded**



PX2085

**Common Data**

Mounting in steel	shielded
Rated operating distance Sn	1,5mm
Assured operating distance Sa	0...1,2mm
Repeatability R	=5%
Hysteresis	=15%
Function indication	yes
Ambient temperature range	-25...+70°C
Pollution Degree	3
Time delay before availability	≤ 10ms

**Mechanical Data**

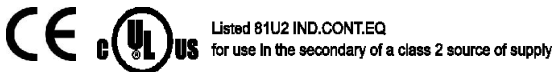
Measurements BxHxT or DxT	D4 x 29mm
Housing material	stainless steel
Material of sensing face	POM
Degree of protection	IP67IP
Connection	Connector S26
Schock: Halbsinus, 30 gn, 11ms	
Vibration: 55 Hz, 1mm Amplitude, 3 x 30 Minutes	

**Electrical Data**

Current type	DC
Wiring	3-Wire
switching function	normally-closed
Output signal	PNP
Rated operational voltage	24 DCV
Rated operational current	100mA
Supply voltage	10...30 DCV
Ripple	≤ 10%
Rated supply frequency	DCHz
max. switching frequency	3000Hz
Minimum operational current	0mA
No-load supply current	= 12mA
Off-state current	=80µA
Voltage drop	=3 /-V
Short circuit protection	yes
Protected against polarity reversal	yes

**Remarks**

Mounting Instructions 825357



Utilization categories  
 Insulation class

DC 13

Datasheet number:

Definitions see general catalog.  
 If not otherwise noted, ratings according to  
 IEC 60947-5-2 (DIN EN60947-5-2)

Balluff GmbH  
 Schurwaldstrasse 9  
 73765 Neuhausen a.d.F.  
 Phone (07158) 173-0 Fax (07158) 5010

Datenblatt by CD-ROM - 04/2007

**BALLUFF**  
 sensors worldwide